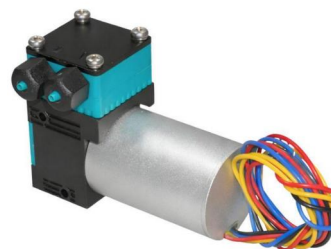


BD - 05TF Series - Micro Diaphragm Gas-Liquid Pump

Model:BD-05TF300WBD

Performance Data	
Model	BD-05TF300WBD
Voltage Option	6V/12/24V
Free Water Flow	300mL/min
Max Water Pressure	2.5bar
Water Pressure Head	>15m
Water Suction Head	7m
Free Gas Flow	3.5L/min
Max Gas Pressure	1bar
Max Gas Vacuum	-60kPa
Motor Data	
Motor Type	DC Brushless Motor
Max Power	6W
Physical Properties	
Ambient Temperature	5°C~40°C
Fluid Temperature	10°C~60°C
Material/Other	
Hose Suggest	ID3mm, OD5mm
Head of pump	PA66
Diaphragm	EPDM
Valve	EPDM
Noise	55dB
Lifetime	8000H
Dimension	75x43.8x57.9mm
Weight	200g



Features

Oil-free, self-priming, gas-liquid compatible, low noise, dry-running capable, compact size, low vibration, long service life.

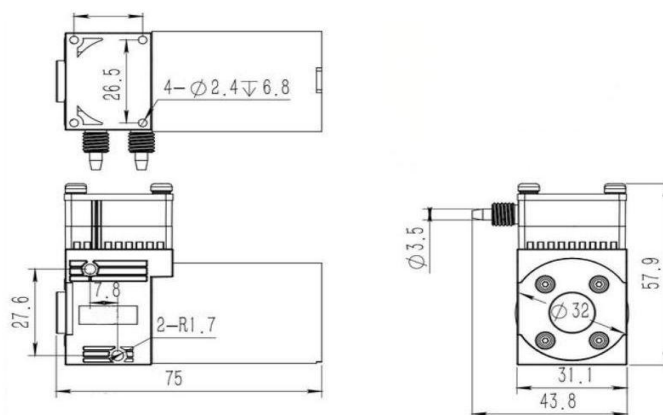
Principle

Driven by a motor, the diaphragm reciprocates to create suction and discharge cycles through check valves for stable gas and liquid transfer. Chemical resistance.

Chemical Resistance

Customizable PPS pump head, PTFE diaphragm, and FFPM valves provide excellent resistance to corrosive gases and liquids.

Drawing(mm)



Installation & Usage Notes

1. Install a filter with a minimum filtration accuracy of $\leq 30 \mu\text{m}$ at the pump inlet to prevent particle ingress
2. Bottom mounting: 4x $\Phi 2.4$ mm holes (depth 6.8 mm), recommended to use M3 self-tapping screws for through-board fixation
3. Side mounting: 2xR1.7 mm through holes, use M3 screws for through-board installation and secure fixation
4. Wiring Definition: Red wire (+) positive, black wire (-) negative, blue wire 0-5V control signal for speed regulation, and yellow wire for frequency output (FG signal).

Application Fields

- Digital printing equipment
- Biochemical analyzers
- Microplate washing equipment
- Chemical analysis systems
- Liquid sampling devices
- Cleaning & Disinfection