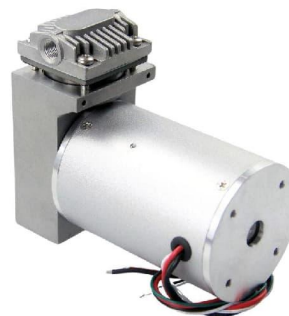


BD - 05T Series - Swing Piston Air Pump

Model:BD-05TR15LB

Performance Data	
Model	BD-05TR15LB
Voltage	24V
Max Flow	15L/min
Max Vacuum	-90kPa
Max Pressure	7bar
Motor Data	
Motor Type	High-end brushless motor
Max load current	3.5A
Power	84W
Physical Properties	
Operating ambient temperature	-20°C~60°C
Operating medium temperature	+5°C~40°C
Material	
Head of pump	Aluminum alloy
Piston Cup	PTFE
Valve	FPM
Dimension	124*65*107mm
Weight	1.6kg



Features

Working Principle

The motor drives an eccentric mechanism that actuates the piston, creating positive displacement for efficient gas compression and transfer.

Compact High-Pressure Design

Compact size with high pressure and high vacuum performance. Chemical Resistance

Oil-Free & Maintenance-Free

Dry-running operation with no lubrication required.

Supports Start-Up Under Load

High-torque BLDC motor enables reliable starting under load.

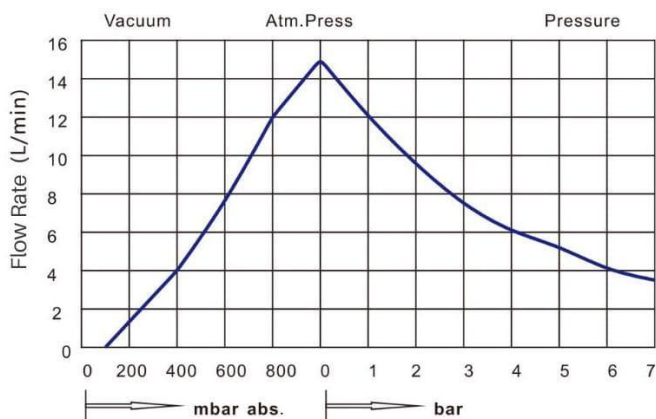
Low Noise & Low Vibration

Optimized structure for smooth and quiet operation.

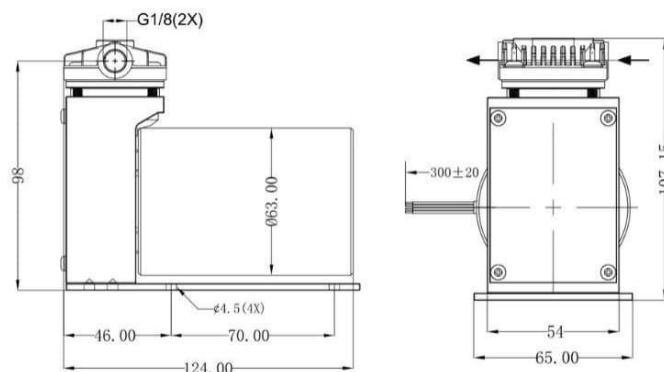
Long-Life BLDC Motor

Continuous service life of over 10,000 hours under rated operating conditions.

Curve



Drawing(mm)



Wiring instructions

1. Red Wire: DC Power Positive ; 2. Black Wire: DC Power Ground (GND) ; 3. White Wire: Speed Control (PWM 5–20 kHz / 0–5 V Analog Input) ; 3.Green Wire: Speed Feedback (3 Pulses/Rev) ; 4.Full-Speed Operation: Leave the white control wire unconnected.